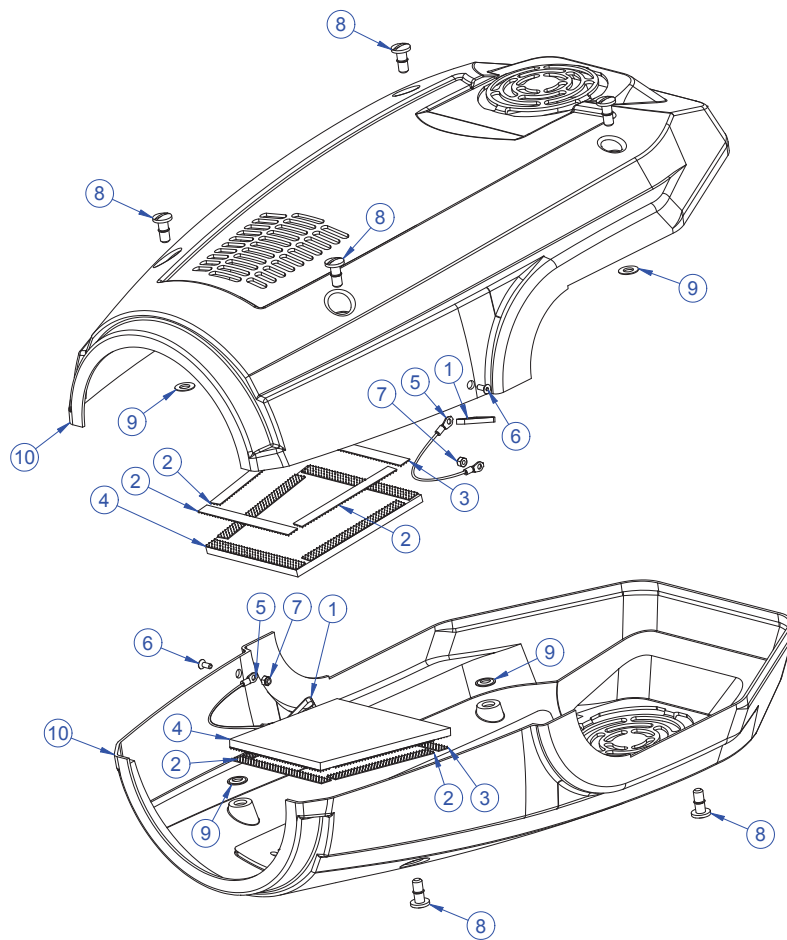
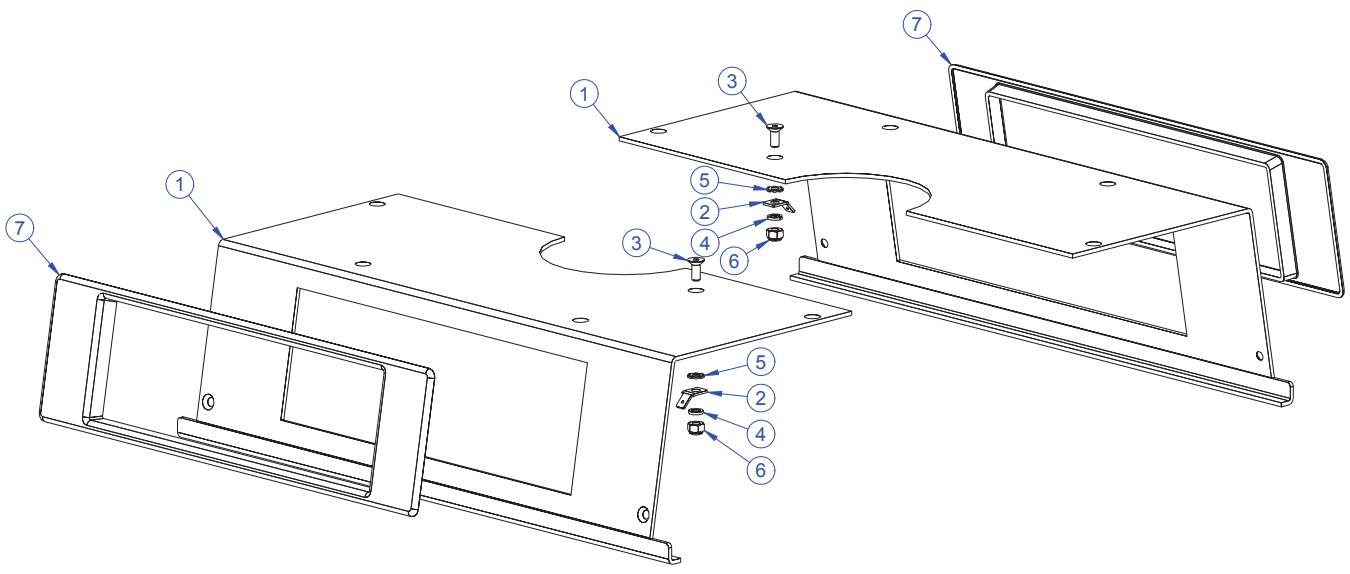


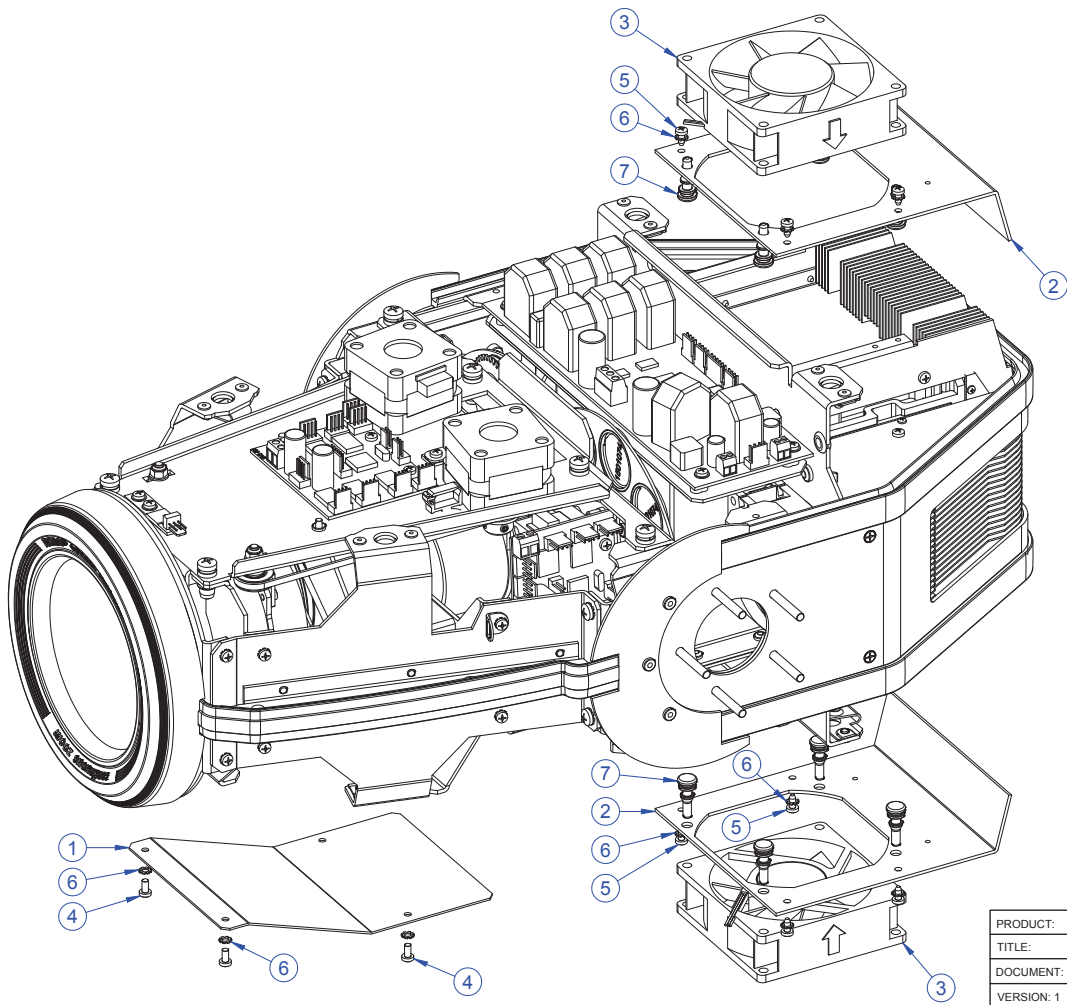
| | | |
|-------------------------|------------------|-----------------|
| PRODUCT: Robin DLX Spot | | |
| TITLE: Covers | | |
| DOCUMENT: 99013461 | | |
| VERSION: 1 | DATE: 19.02.2014 | SHEET: 01 OF 25 |



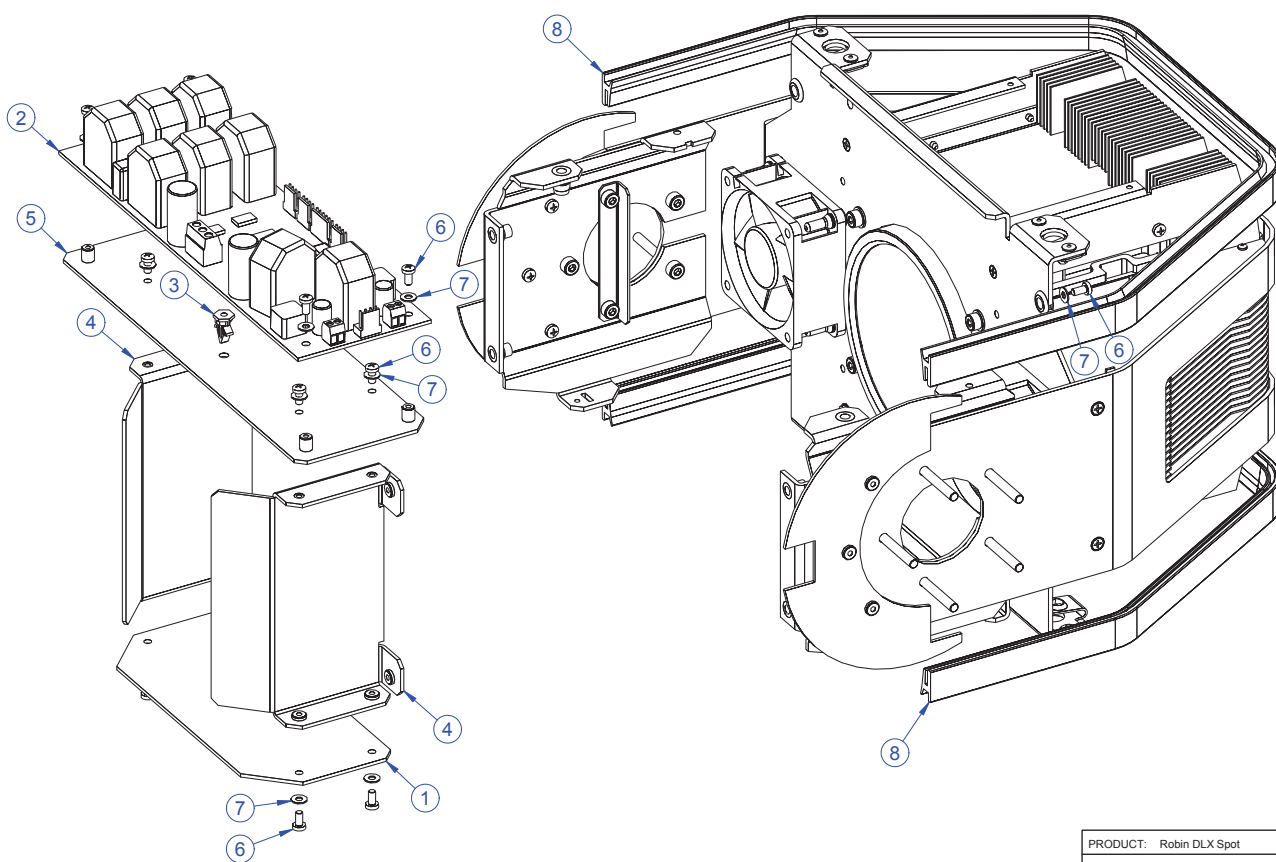
| | | |
|-------------------------|------------------|-----------------|
| PRODUCT: Robin DLX Spot | | |
| TITLE: Covers of head | | |
| DOCUMENT: 99013461 | | |
| VERSION: 1 | DATE: 19.02.2014 | SHEET: 02 OF 25 |



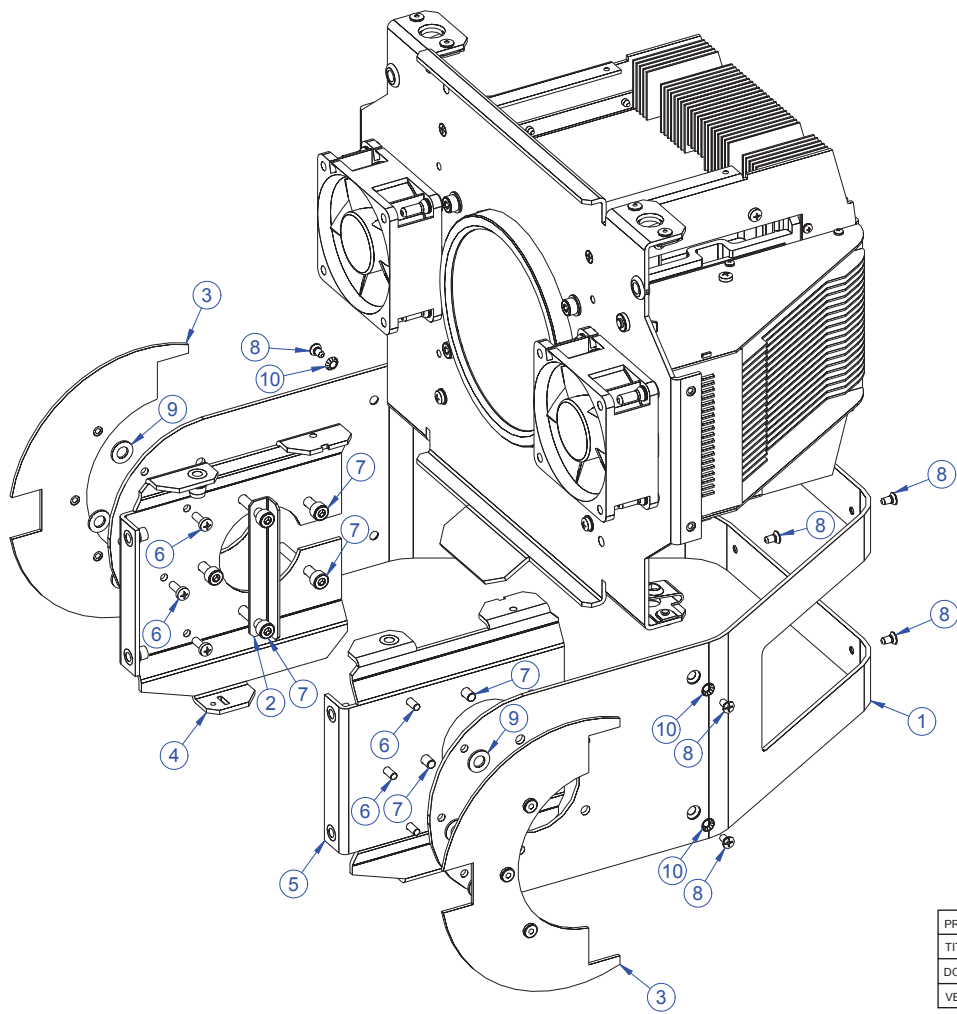
| | | |
|-------------------------|------------------|-----------------|
| PRODUCT: Robin DLX Spot | | |
| TITLE: Covers of base | | |
| DOCUMENT: 99013425 | | |
| VERSION: 1 | DATE: 19.02.2014 | SHEET: 03 OF 25 |



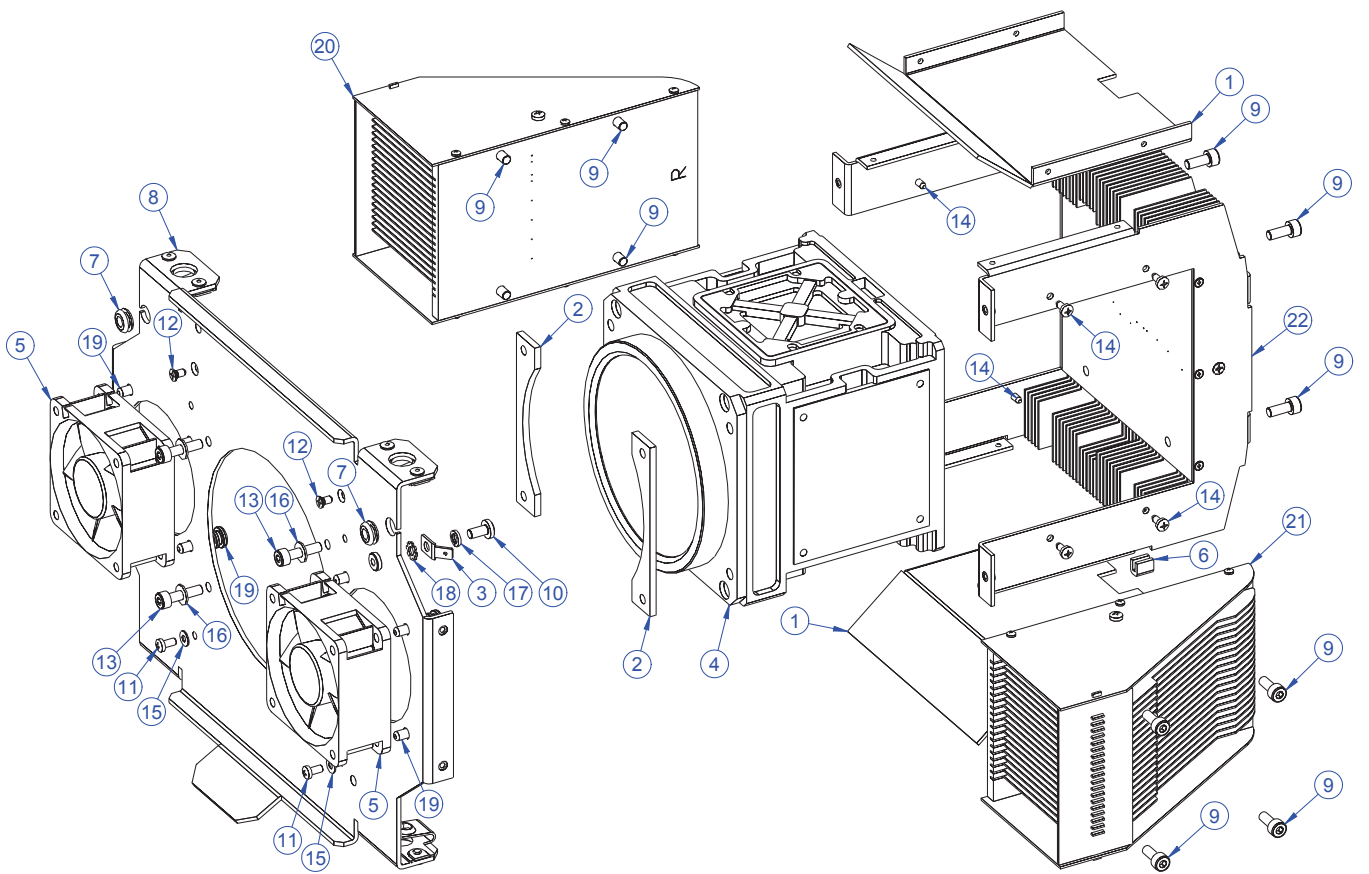
| | | |
|-------------------------|------------------|-----------------|
| PRODUCT: Robin DLX Spot | | |
| TITLE: Assembly of head | | |
| DOCUMENT: 99013460 | | |
| VERSION: 1 | DATE: 19.02.2014 | SHEET: 04 OF 25 |



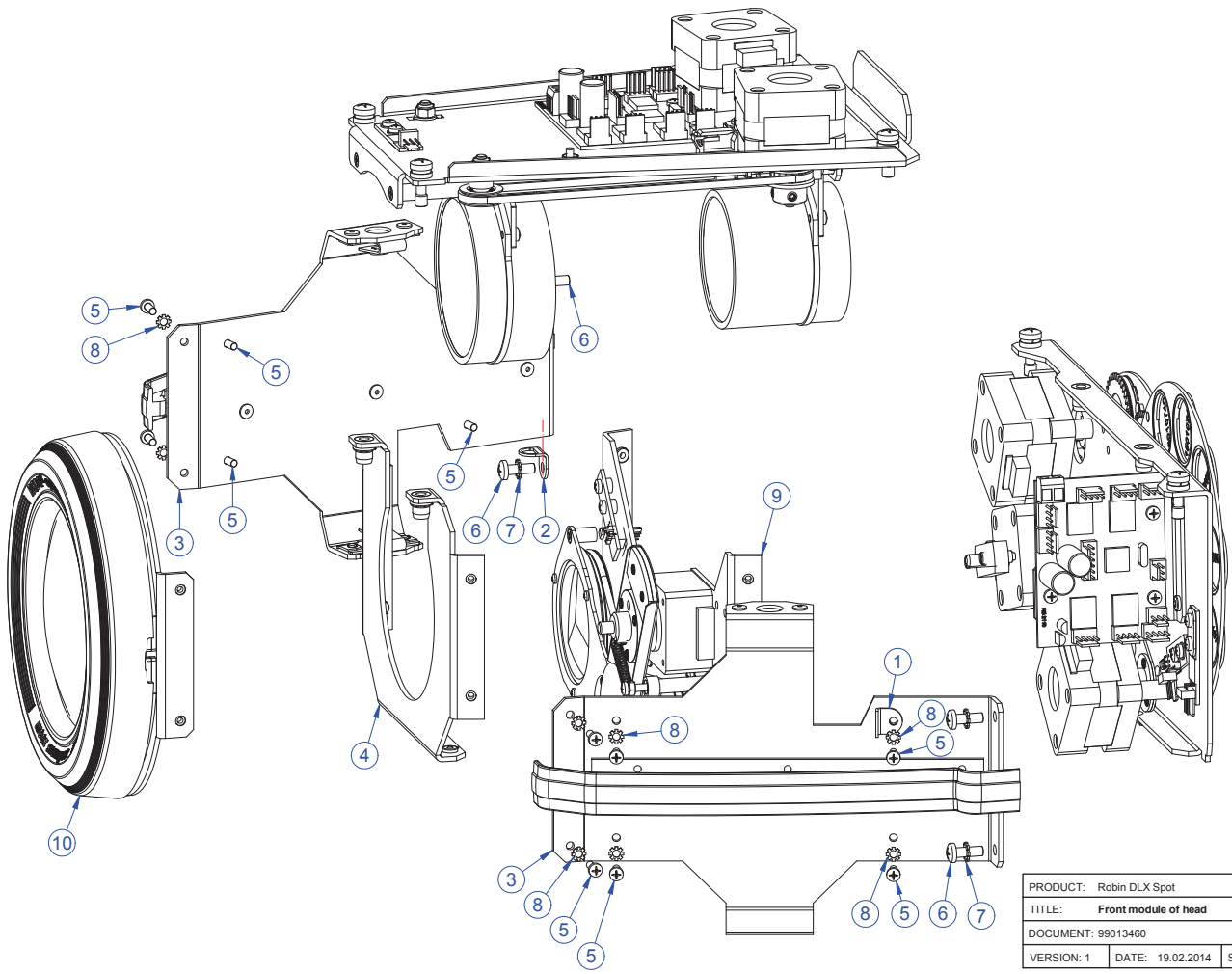
| | | |
|-------------------------|------------------|-----------------|
| PRODUCT: Robin DLX Spot | | |
| TITLE: Holder of PCB | | |
| DOCUMENT: 99013460 | | |
| VERSION: 1 | DATE: 17.04.2012 | SHEET: 05 OF 25 |



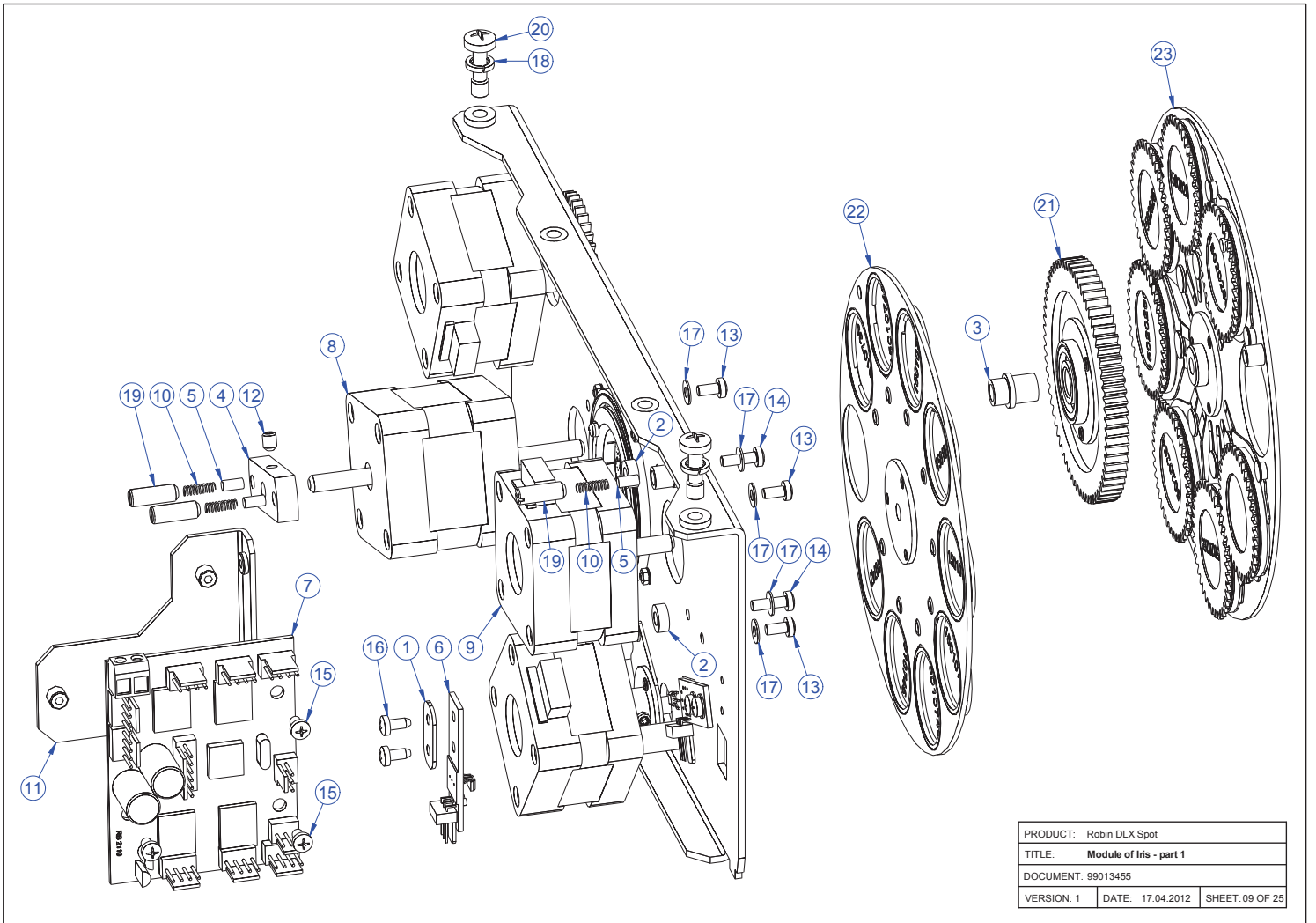
| | | |
|-----------------------------|------------------|-----------------|
| PRODUCT: Robin DLX Spot | | |
| TITLE: Holder of module LED | | |
| DOCUMENT: 99013460 | | |
| VERSION: 1 | DATE: 17.04.2012 | SHEET: 06 OF 25 |

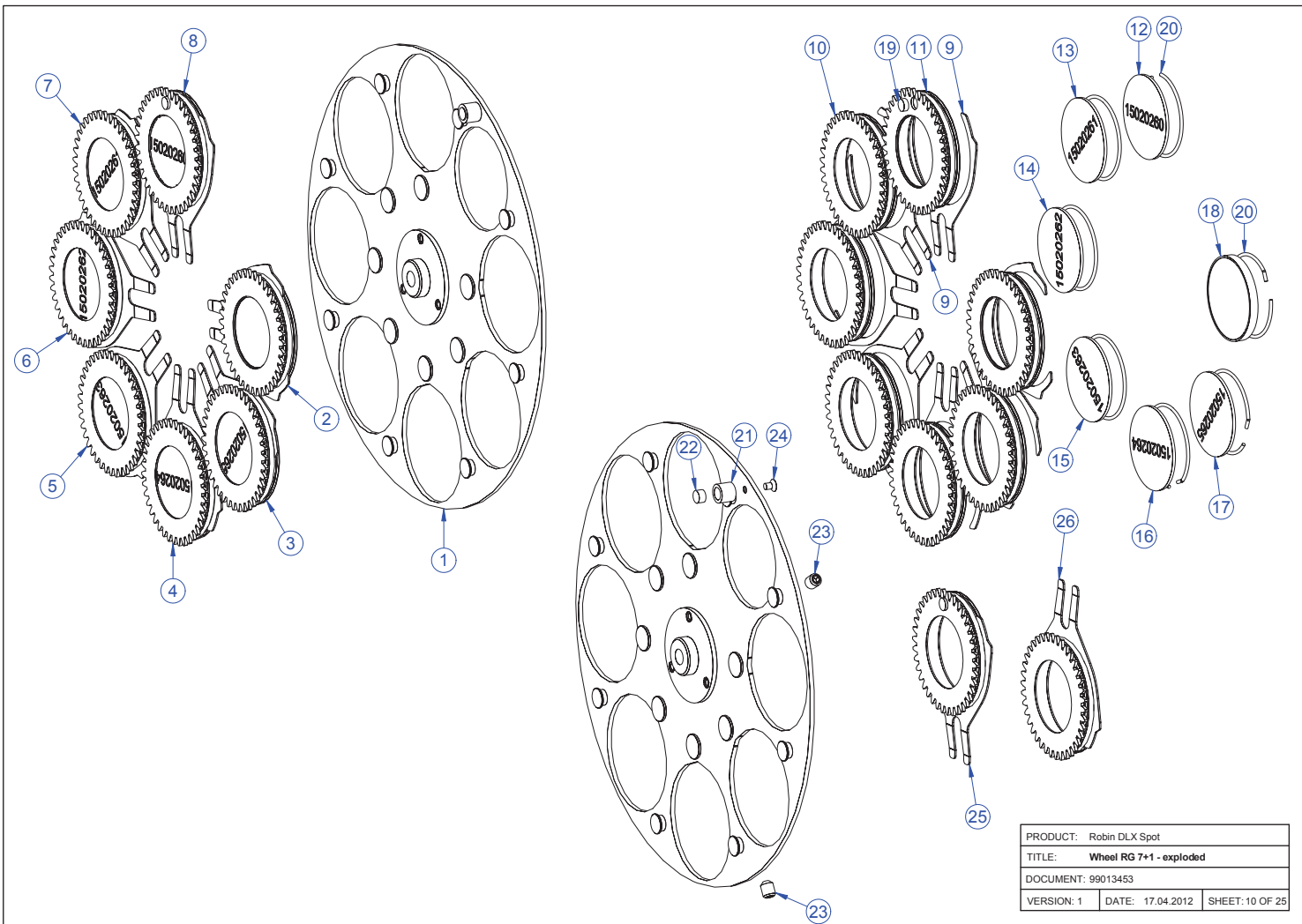


| | | |
|------------------------------|------------------|-----------------|
| PRODUCT: Robin DLX Spot | | |
| TITLE: Module LED - exploded | | |
| DOCUMENT: 99013432 | | |
| VERSION: 1 | DATE: 19.02.2014 | SHEET: 07 OF 25 |

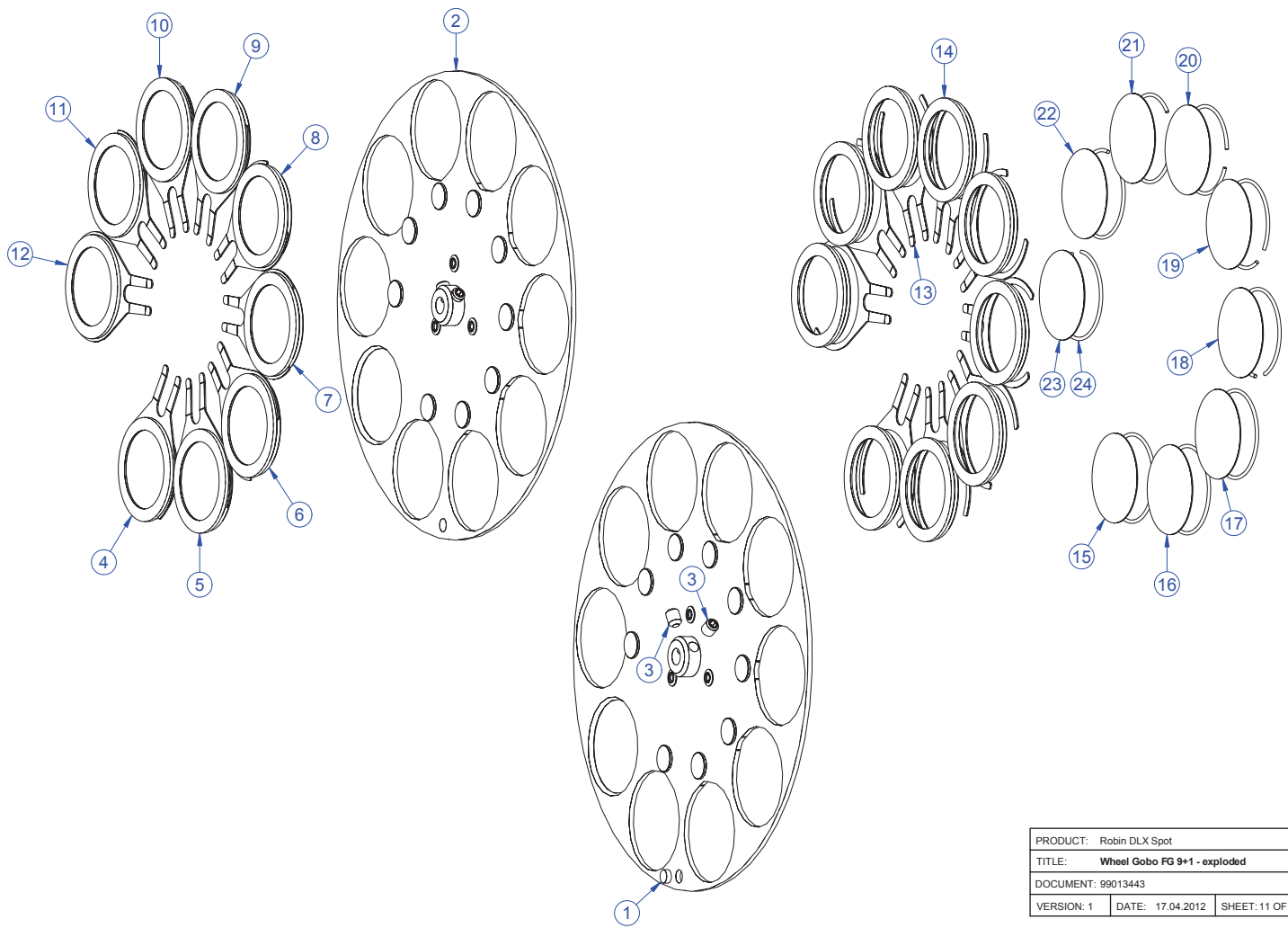


| | | |
|-----------------------------|------------------|-----------------|
| PRODUCT: Robin DLX Spot | | |
| TITLE: Front module of head | | |
| DOCUMENT: 99013460 | | |
| VERSION: 1 | DATE: 19.02.2014 | SHEET: 08 OF 25 |

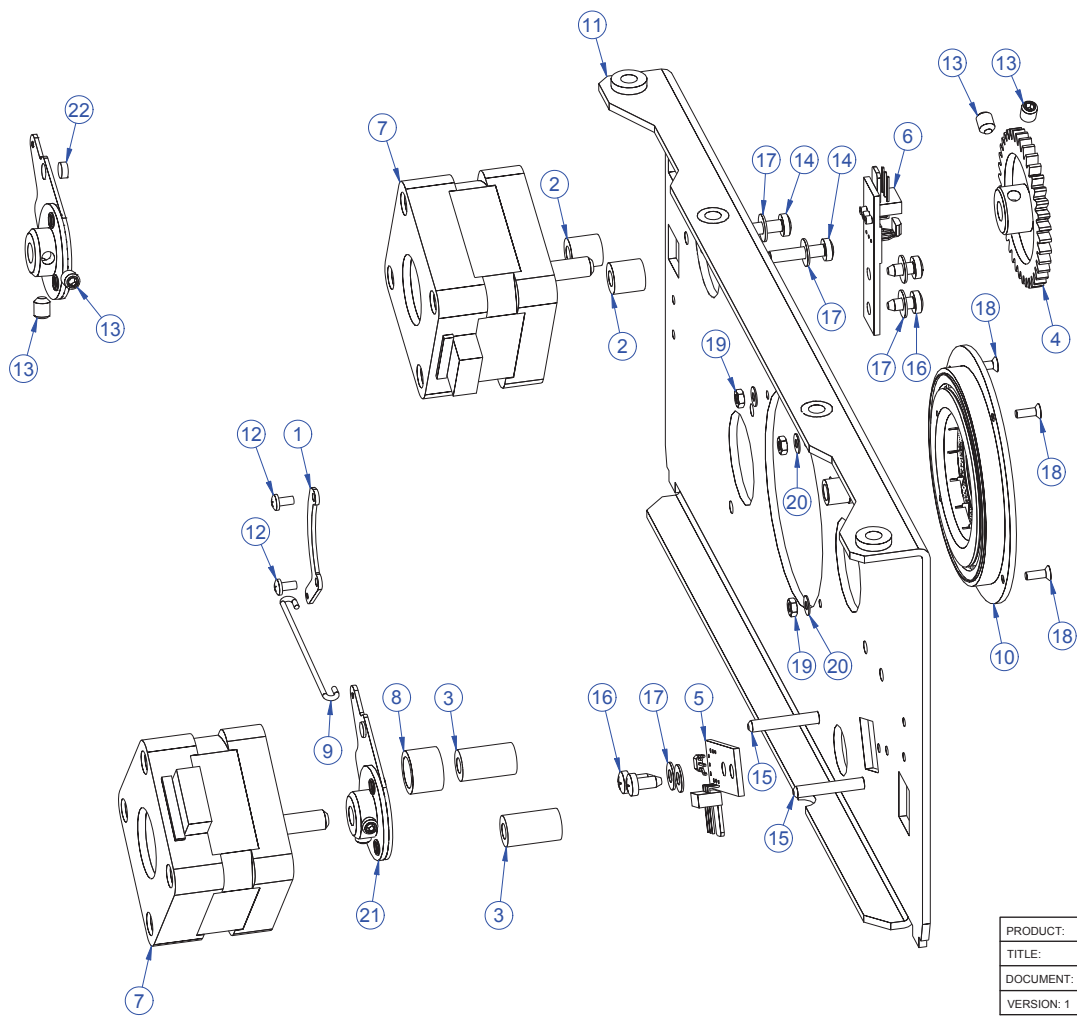




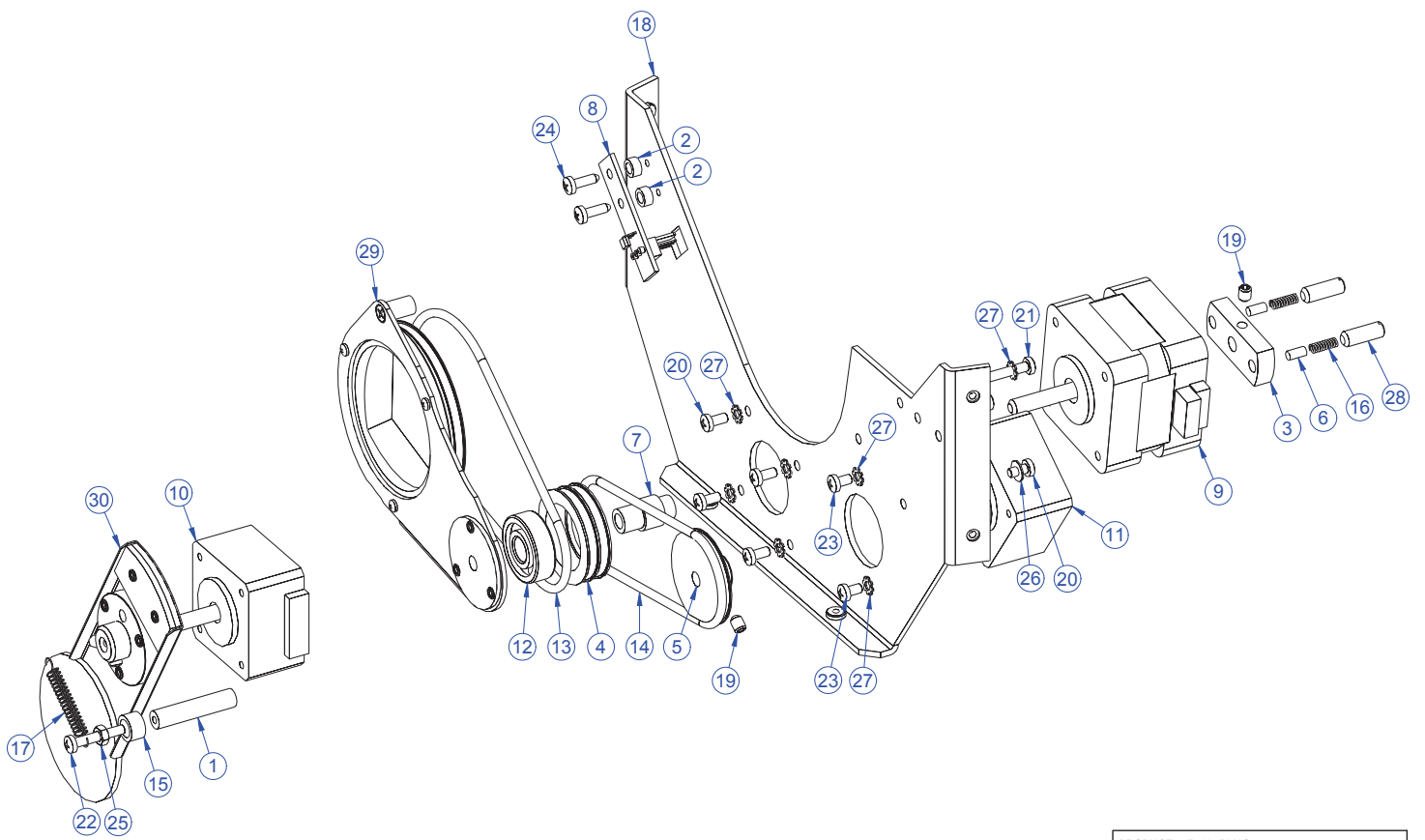
| | | |
|--------------------------------|------------------|-----------------|
| PRODUCT: Robin DLX Spot | | |
| TITLE: Wheel RG 7+1 - exploded | | |
| DOCUMENT: 99013453 | | |
| VERSION: 1 | DATE: 17.04.2012 | SHEET: 10 OF 25 |



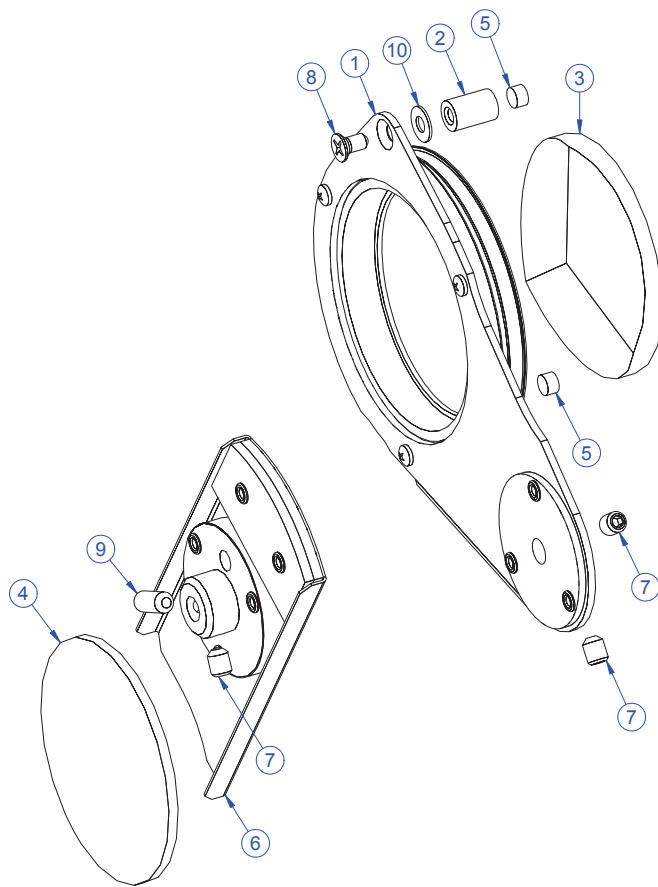
| | | |
|-------------------------------------|------------------|-----------------|
| PRODUCT: Robin DLX Spot | | |
| TITLE: Wheel Gobo FG 9+1 - exploded | | |
| DOCUMENT: 99013443 | | |
| VERSION: 1 | DATE: 17.04.2012 | SHEET: 11 OF 25 |



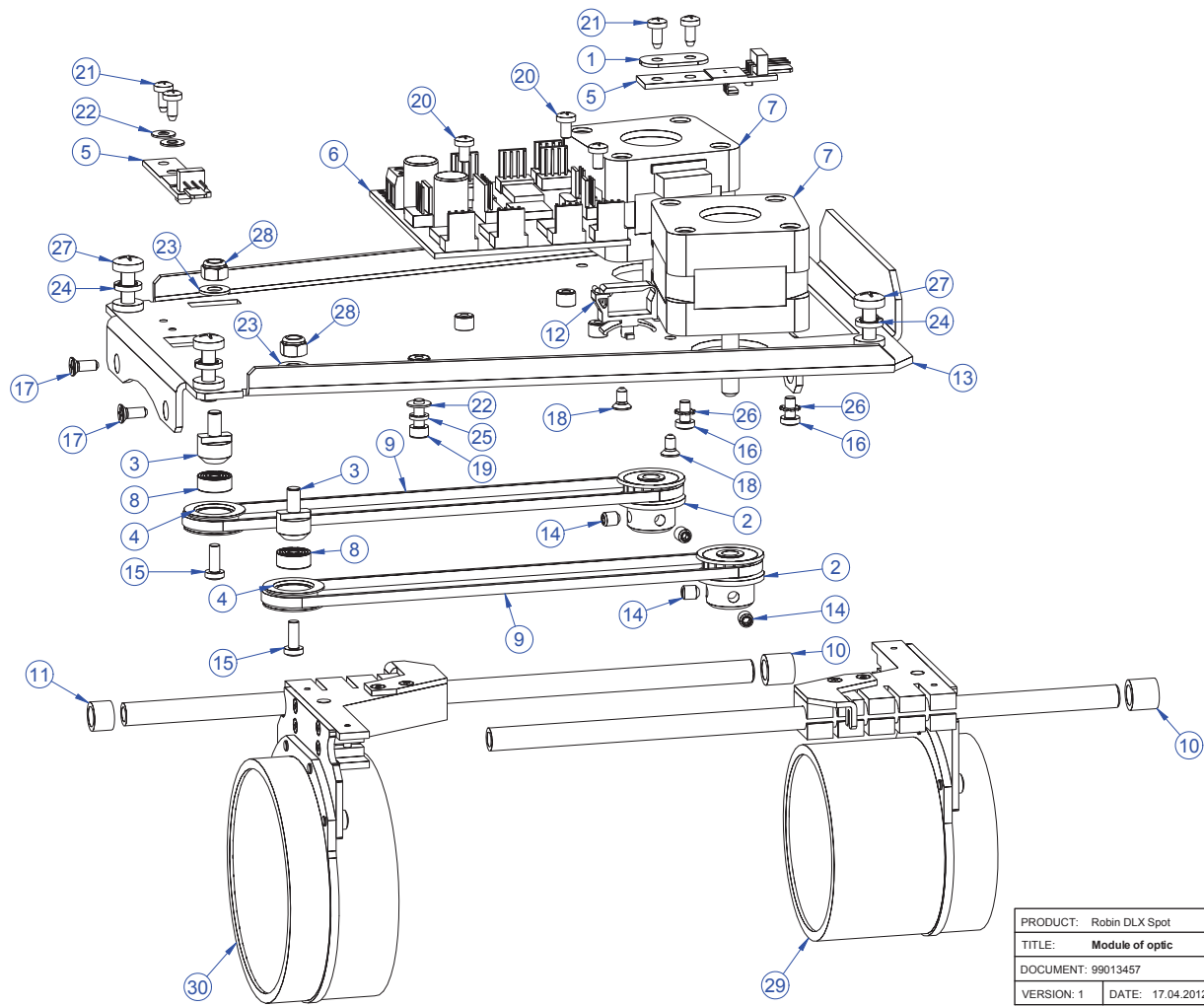
| | | |
|---------------------------------------|------------------|-----------------|
| PRODUCT: Robin DLX Spot | | |
| TITLE: Module of Iris - part 2 | | |
| DOCUMENT: 99013455 | | |
| VERSION: 1 | DATE: 17.04.2012 | SHEET: 12 OF 25 |



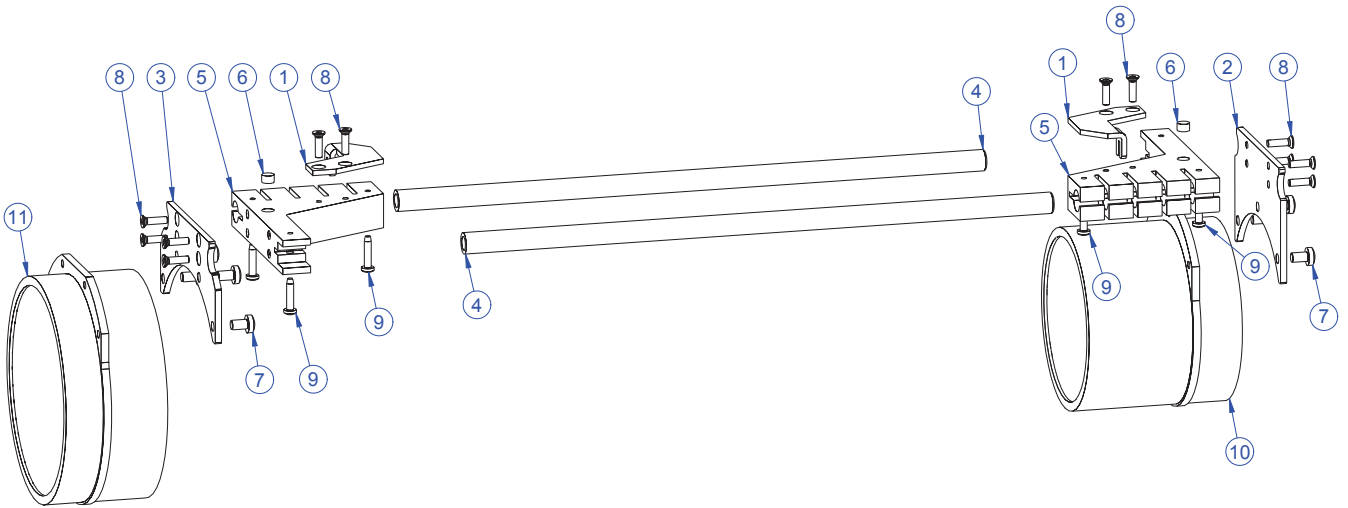
| | | |
|--|------------------|-----------------|
| PRODUCT: Robin DLX Spot | | |
| TITLE: Module of prism and lamelle Frost | | |
| DOCUMENT: 99012523 | | |
| VERSION: 1 | DATE: 19.02.2014 | SHEET: 13 OF 25 |



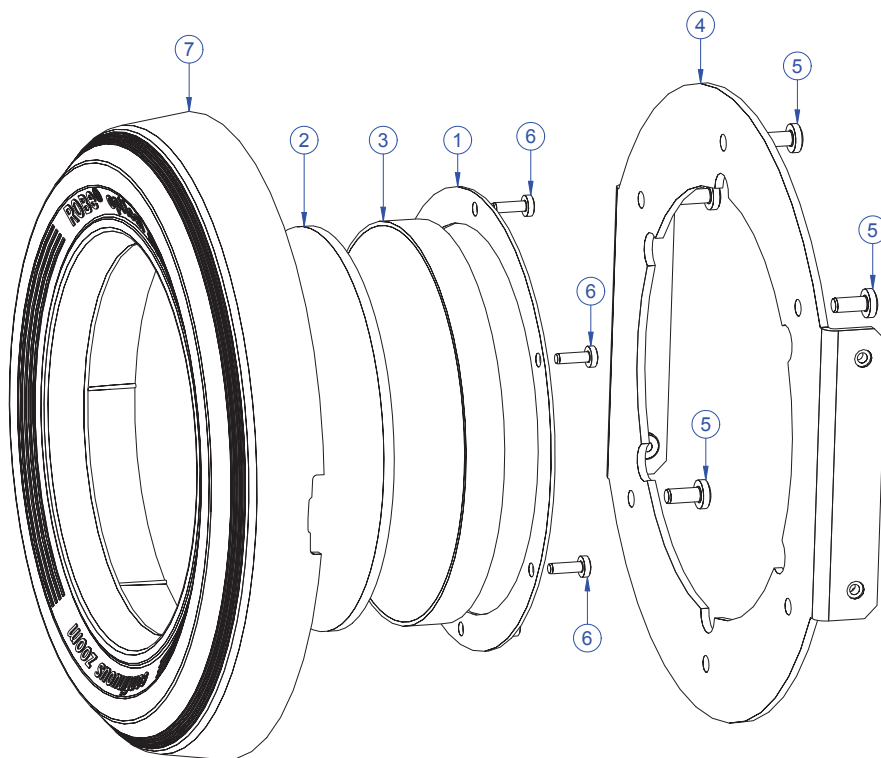
| | | |
|---|------------------|-----------------|
| PRODUCT: Robin DLX Spot | | |
| TITLE: Prism and lamelle Frost - exploded | | |
| DOCUMENT: 99012523 | | |
| VERSION: 1 | DATE: 17.04.2012 | SHEET: 14 OF 25 |



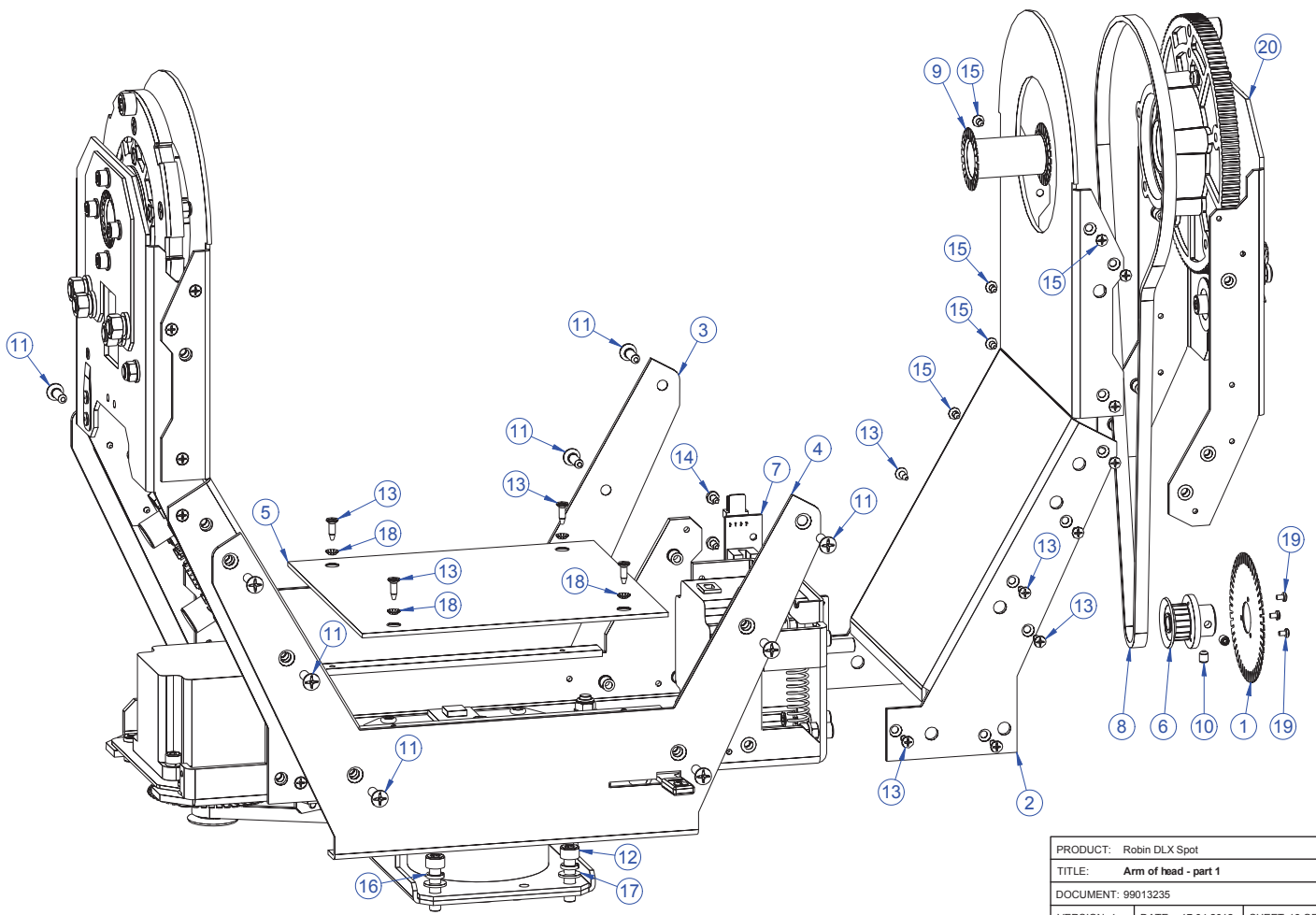
| | | |
|-------------------------|------------------|-----------------|
| PRODUCT: Robin DLX Spot | | |
| TITLE: Module of optic | | |
| DOCUMENT: 99013457 | | |
| VERSION: 1 | DATE: 17.04.2012 | SHEET: 15 OF 25 |



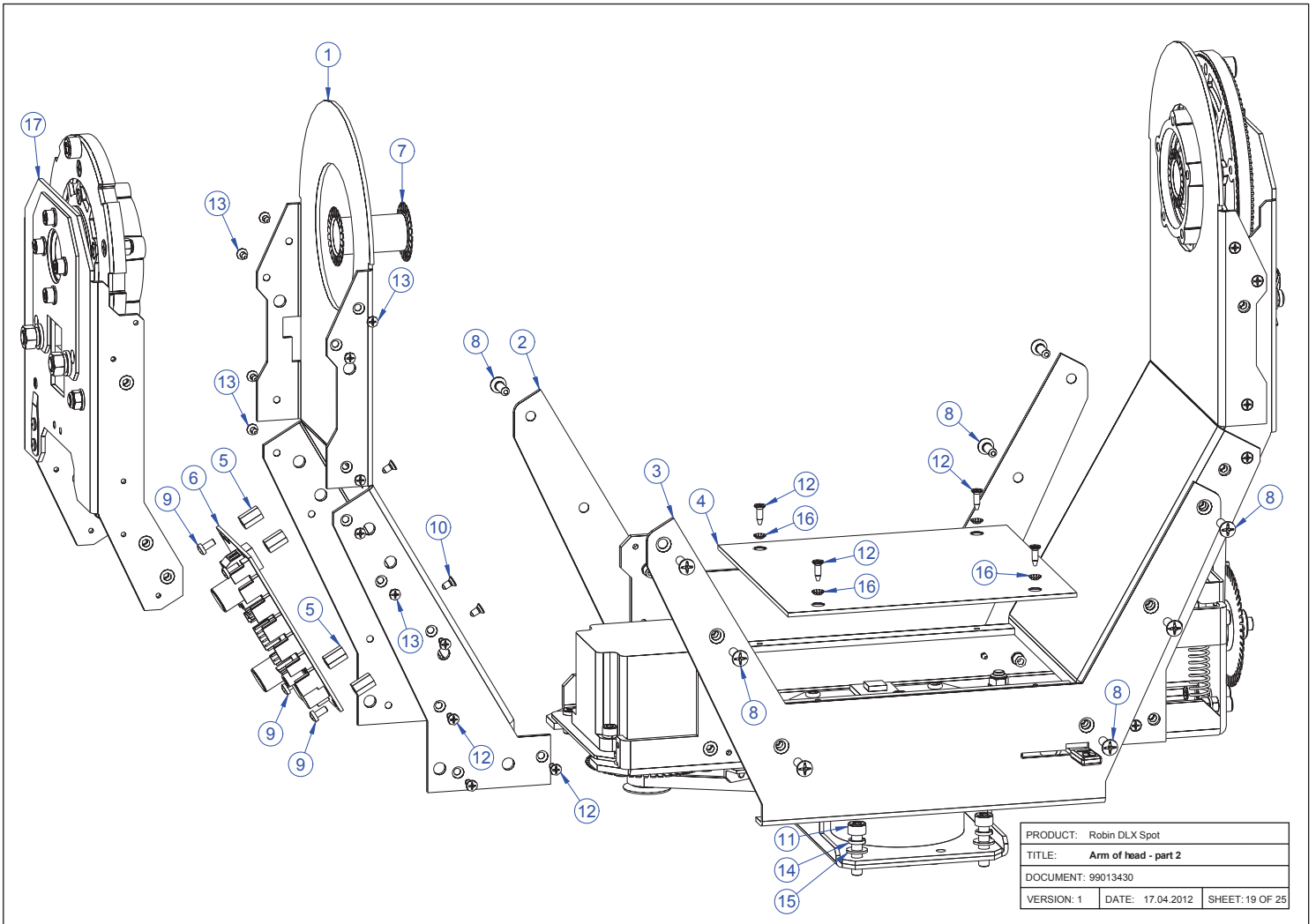
| | | |
|---------------------------------|------------------|-----------------|
| PRODUCT: Robin DLX Spot | | |
| TITLE: Holder of Focus and Zoom | | |
| DOCUMENT: 99013457 | | |
| VERSION: 1 | DATE: 17.04.2012 | SHEET: 16 OF 25 |

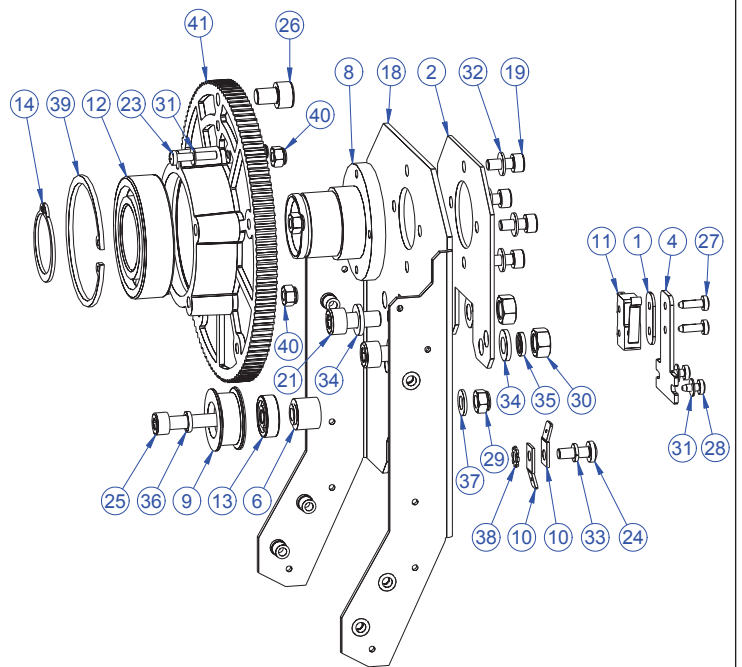
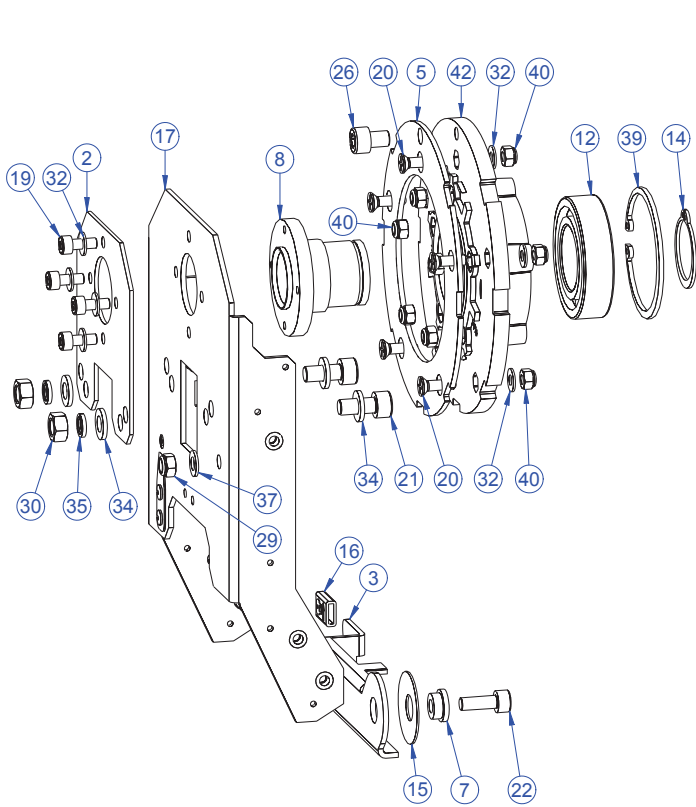


| | | |
|----------------------------|------------------|-----------------|
| PRODUCT: Robin DLX Spot | | |
| TITLE: Holder of objective | | |
| DOCUMENT: 99012524 | | |
| VERSION: 1 | DATE: 17.04.2012 | SHEET: 17 OF 25 |

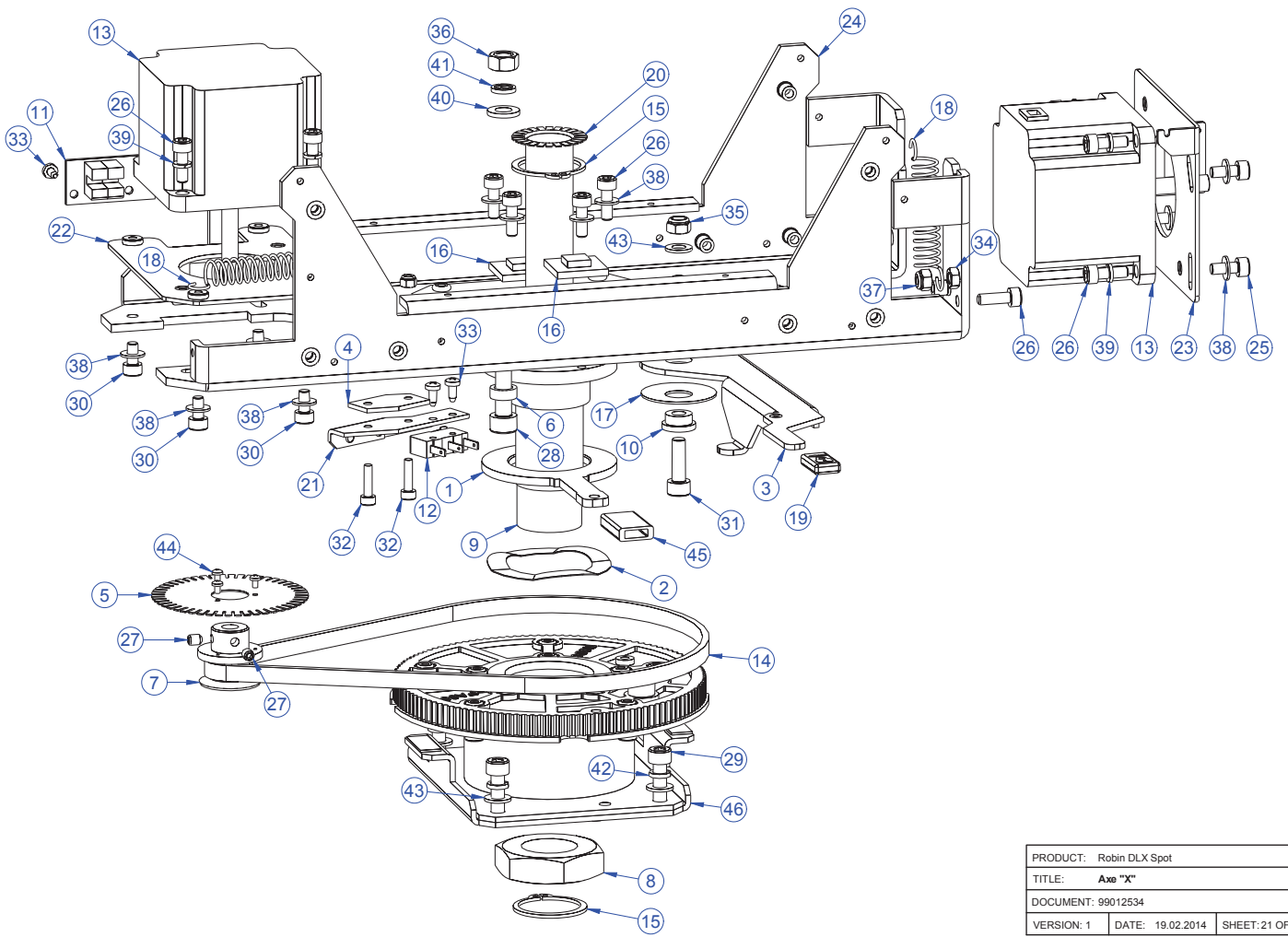


| | | |
|-----------------------------|------------------|-----------------|
| PRODUCT: Robin DLX Spot | | |
| TITLE: Arm of head - part 1 | | |
| DOCUMENT: 99013235 | | |
| VERSION: 1 | DATE: 17.04.2012 | SHEET: 18 OF 25 |

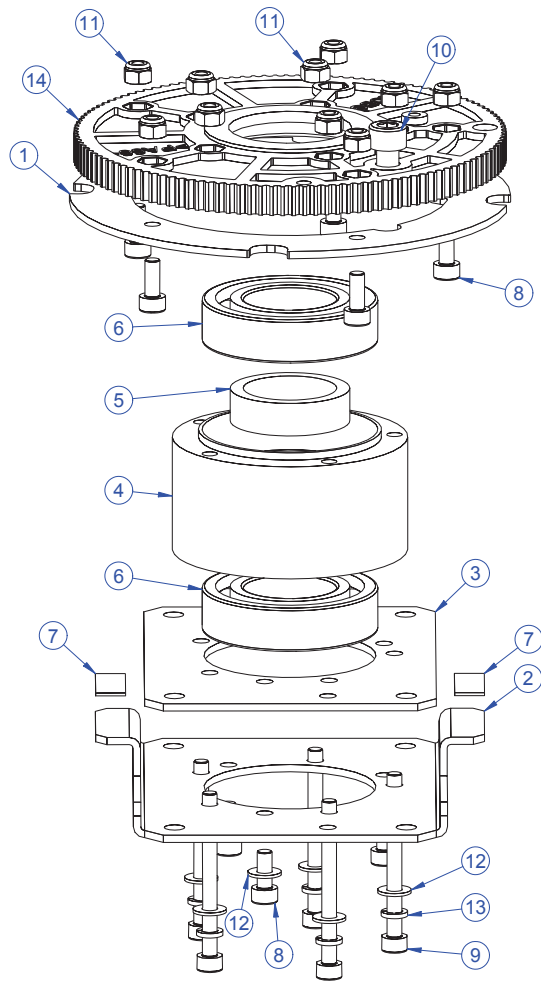




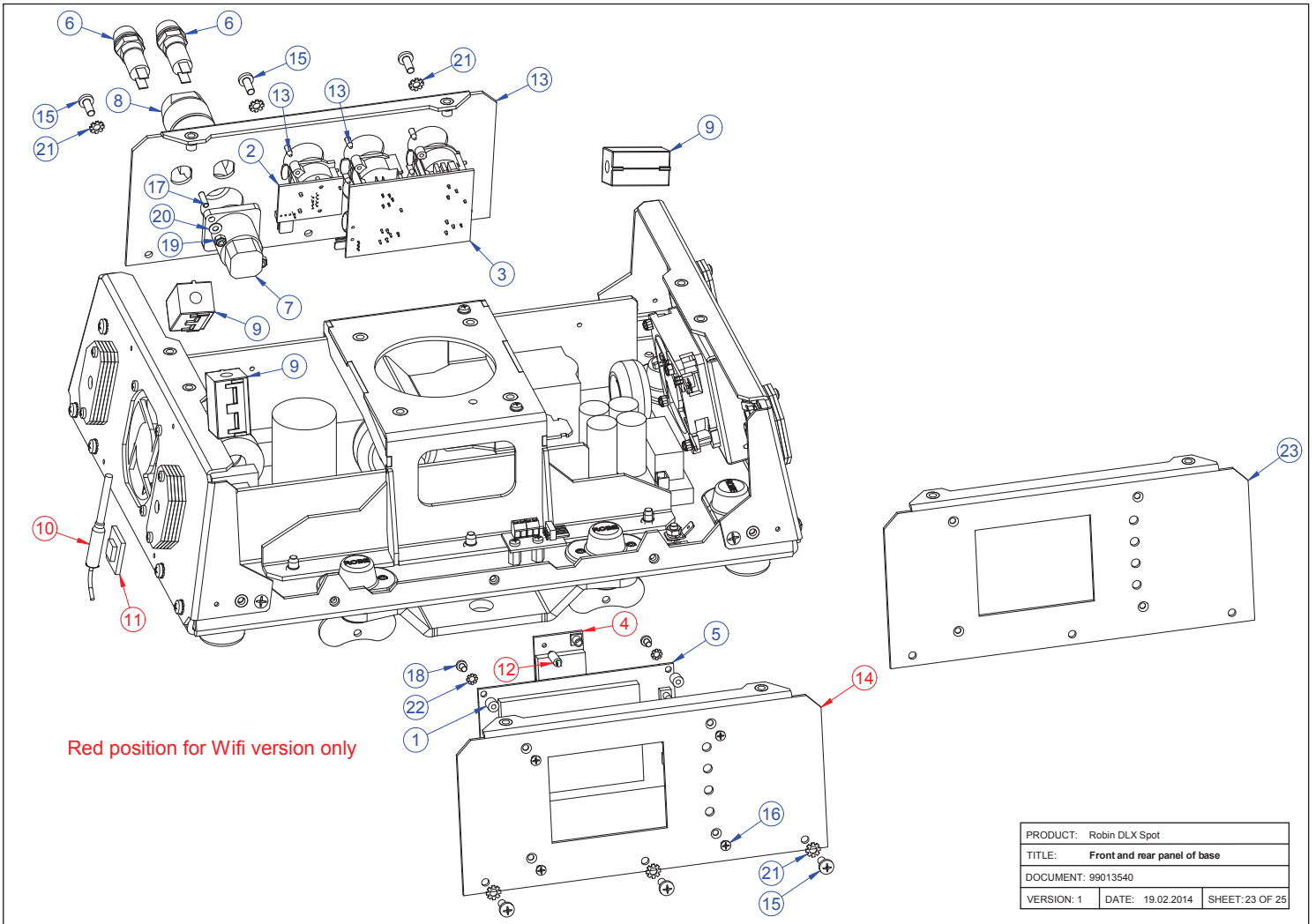
| | | |
|-------------------------|------------------|-----------------|
| PRODUCT: Robin DLX Spot | | |
| TITLE: Arm of axe "Y" | | |
| DOCUMENT: 99013430 | | |
| VERSION: 1 | DATE: 19.02.2014 | SHEET: 20 OF 25 |



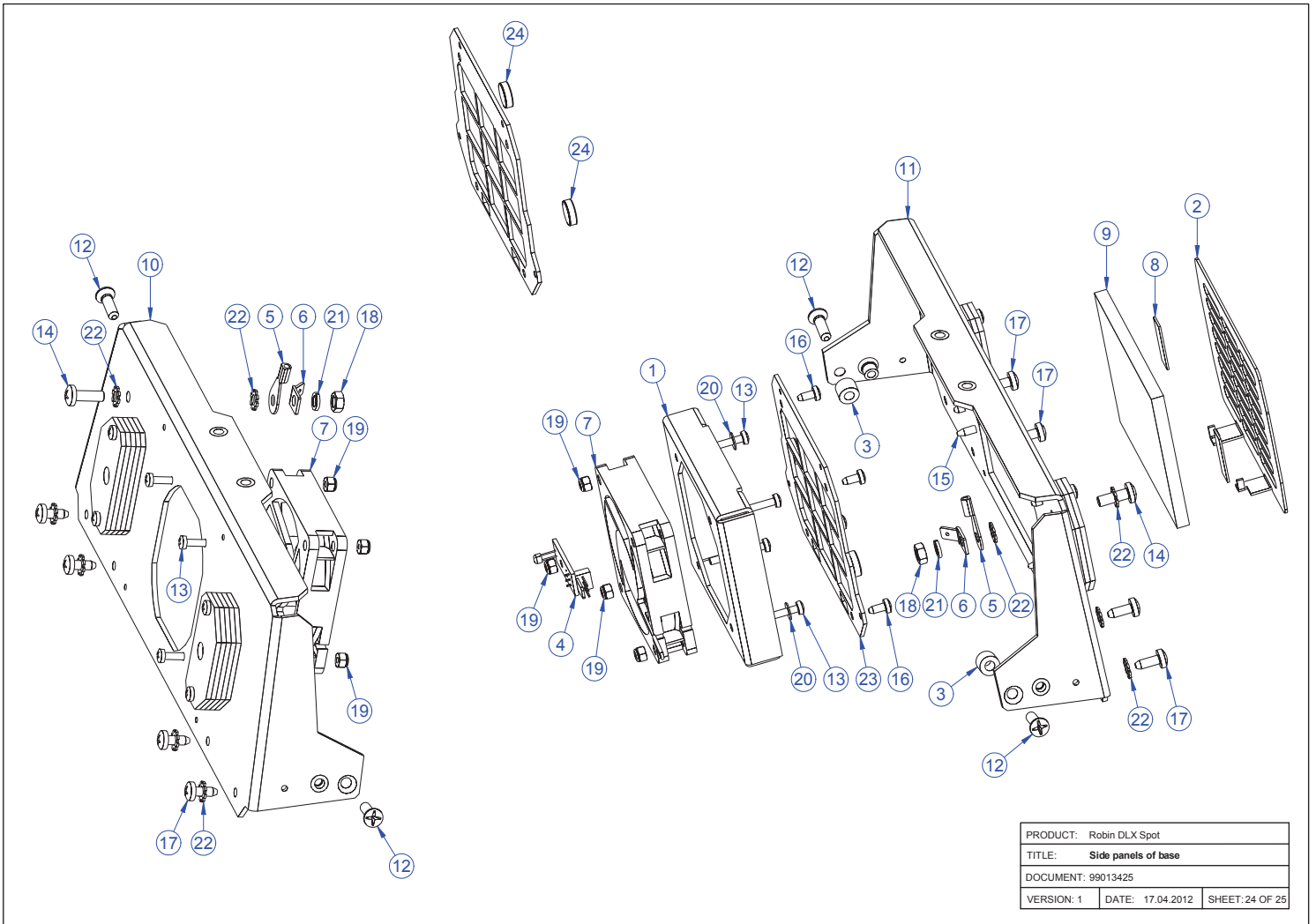
| | | |
|-------------------------|------------------|-----------------|
| PRODUCT: Robin DLX Spot | | |
| TITLE: Axe "X" | | |
| DOCUMENT: 99012534 | | |
| VERSION: 1 | DATE: 19.02.2014 | SHEET: 21 OF 25 |



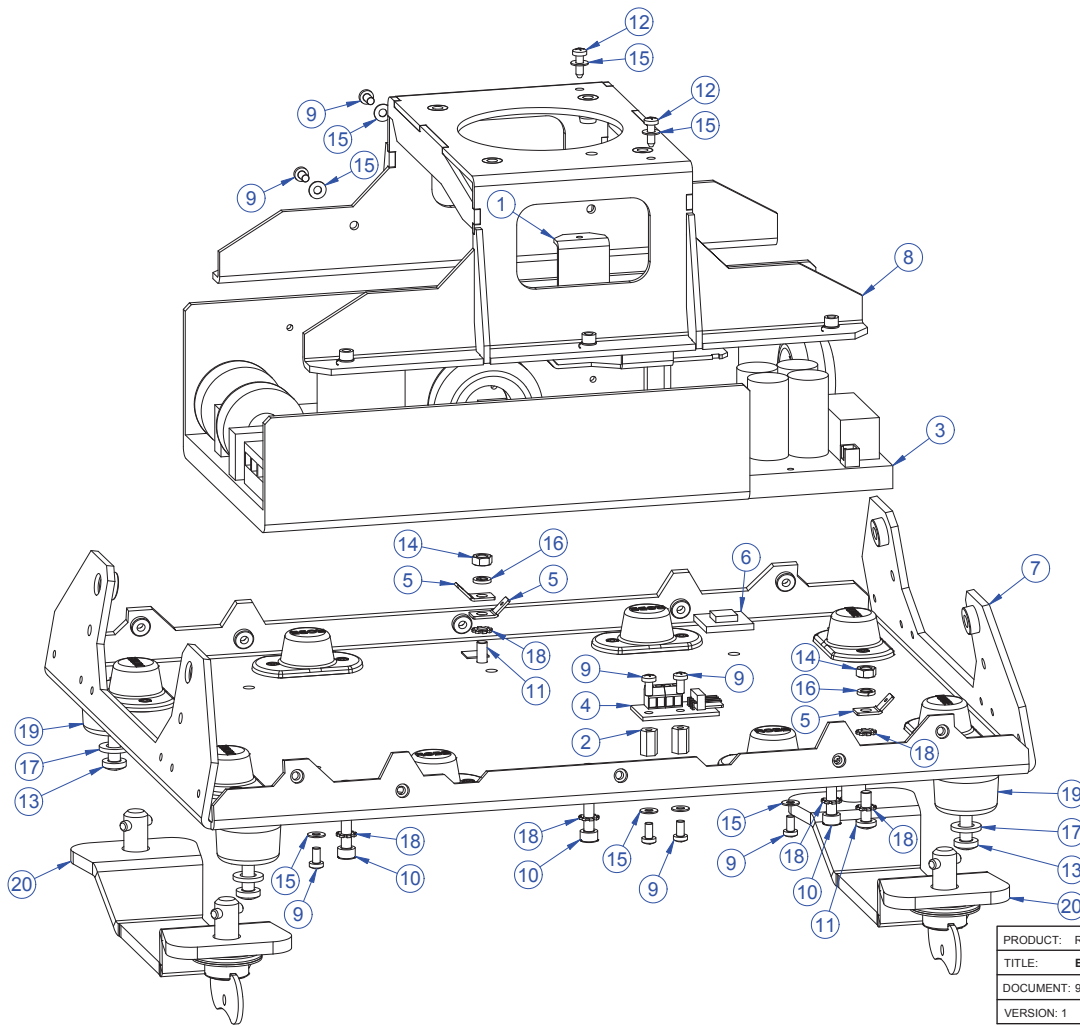
| | | |
|-----------------------------|------------------|-----------------|
| PRODUCT: Robin DLX Spot | | |
| TITLE: Holder of toothwheel | | |
| DOCUMENT: 99012533 | | |
| VERSION: 1 | DATE: 17.04.2012 | SHEET: 22 OF 25 |



| | | |
|-------------------------------------|------------------|-----------------|
| PRODUCT: Robin DLX Spot | | |
| TITLE: Front and rear panel of base | | |
| DOCUMENT: 99013540 | | |
| VERSION: 1 | DATE: 19.02.2014 | SHEET: 23 OF 25 |



| | | |
|----------------------------|------------------|-----------------|
| PRODUCT: Robin DLX Spot | | |
| TITLE: Side panels of base | | |
| DOCUMENT: 99013425 | | |
| VERSION: 1 | DATE: 17.04.2012 | SHEET: 24 OF 25 |



| | | |
|-------------------------|------------------|-----------------|
| PRODUCT: Robin DLX Spot | | |
| TITLE: Base | | |
| DOCUMENT: 99013540 | | |
| VERSION: 1 | DATE: 19.02.2014 | SHEET: 25 OF 25 |